

NOTICE
 THIS DRAWING IS THE PROPERTY OF QUALITROL CORPORATION AND IS LOANED ONLY ON THE CONDITION THAT IT WILL BE USED TO FACILITATE THE PURPOSE FOR WHICH INTENDED AND NOT BE REPRODUCED, COPIED OR OTHERWISE DISPOSED OF, AND IS NOT TO BE USED IN WHOLE OR PART FOR FURNISHING INFORMATION RELATIVE TO THE MAKING OF DRAWINGS, PARTS APPARATUS OR PARTS THEREOF, EXCEPT BY WRITTEN ORDER FROM QUALITROL CORPORATION.

MODEL NO. 208-023-01

NOTES:

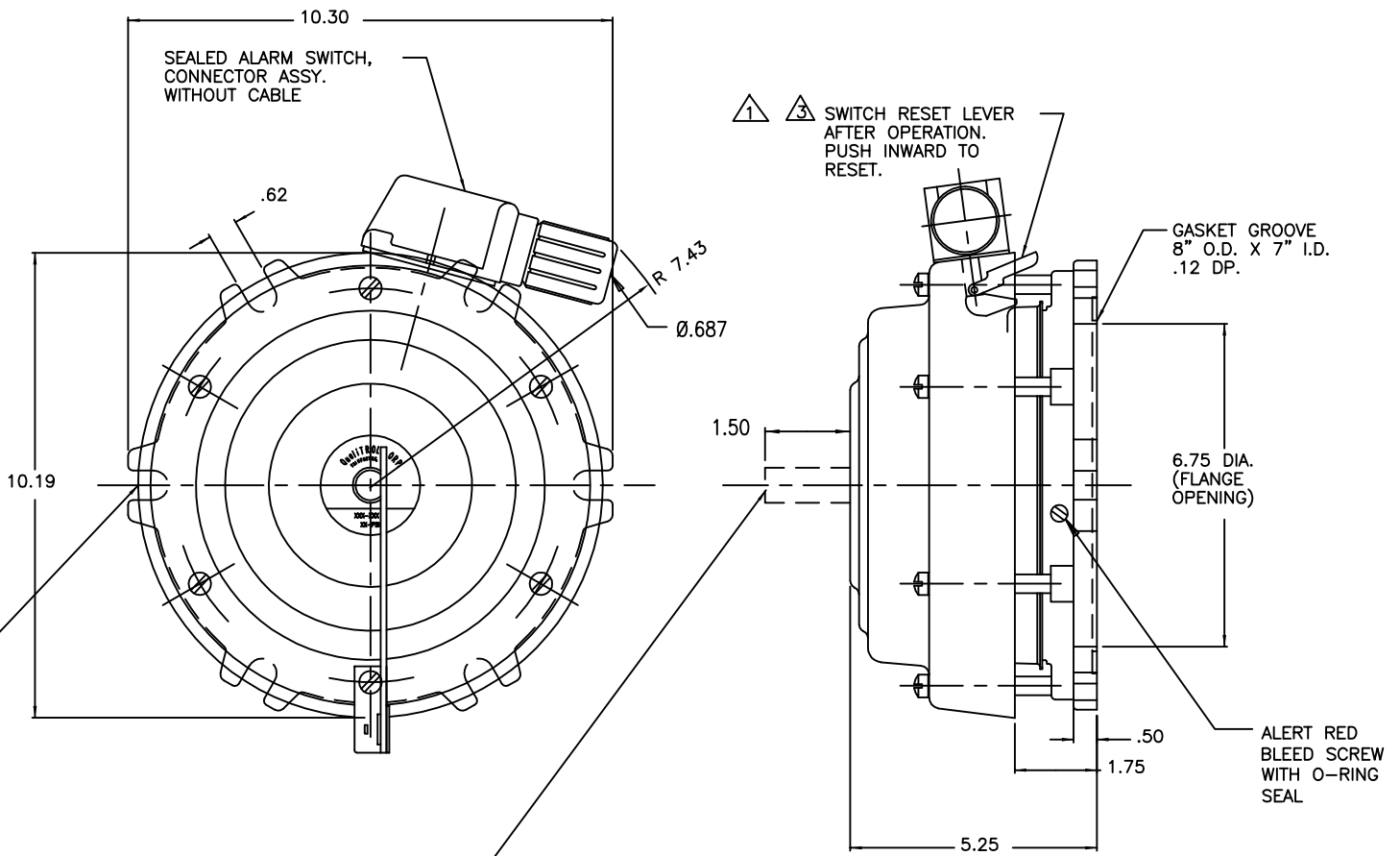
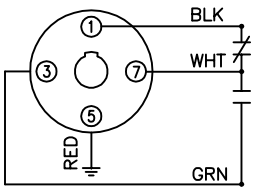
- 1. BLACK AND WHITE ARE NORMALLY CLOSED WHEN ALARM SWITCH IS MOUNTED AND ARMED AS SHOWN.
- 2. WHEN DEVICE OPERATES: WHITE CLOSSES ON GREEN AND OPENS ON BLACK
- 3. WHEN THE SWITCH RESET LEVER IS MAN. DEPRESSED: BLACK AND WHITE ARE CLOSED GREEN AND WHITE ARE OPEN
- 4. FINISH: ASA #70 LT GRAY EPOXY INDICATOR : YELLOW
- 5. OPERATING PRESSURE: 10 PSIG ±1 PSIG (.70 BAR ±.07)

SWITCH RATING

15 AMP @ 125,250,480 VAC
 .5 AMP @ 125 VDC
 .25 AMP @ 250 VDC } NON-INDUCTIVE

(6) MTG. LUGS EQUALLY SPACED ON 9.25 B.C.

WIRING DIAGRAM
 (SHOWN READY TO OPERATE)



1/2 DIA INDICATOR NORMALLY FLUSH-- EXTENDS AS SHOWN DOTTED AFTER DEVICE HAS OPERATED TO RESET...PUSHDOWN.

1 3 SWITCH RESET LEVER AFTER OPERATION. PUSH INWARD TO RESET.

GASKET GROOVE 8" O.D. X 7" I.D. .12 DP.

ALERT RED BLEED SCREW WITH O-RING SEAL

LET	DATE	ALTERATION	C.N.
-	8-21-03	ADDED 0.687 DIMENSION TO SWITCH NUT	24028
-	12-10-98	RELEASED	20041

QUALITROL CORPORATION

DIMENSIONS AND TOLERANCES IN ACCORDANCE WITH ASME Y14.5M-1994

PH. (585) 586-1515
 FAX (585) 377-0220
 1385 FAIRPORT ROAD
 FAIRPORT, NY 14450
 FORM 0-473 REV.D 10/22/02

TITLE:	PRESSURE RELIEF DEVICE W/ BLEED SCREW
MODEL NO.	208-023-01