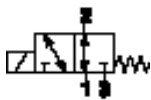


Herion 24000 Series

Direct solenoid actuated poppet valves

8 to 50 mm orifice (ND)

3/2, Universal, G¼ to G 2



Working from 0 bar up

Suitable for vacuum range down to 1.33-10-2 mbar·l/s

Technical data

Medium:

For neutral gaseous and liquid fluids

Operating pressure:

100 bar max.

Flow direction:

Optional

Mounting position:

Optional, preferably vertical

Fluid temperature:

-25 to +80°C NBR (Perbunan)

-10 to +120°C FPM (Viton)

-40 to +80°C Hytrel

With minus temperatures, use conditioned dry air. If installed in the open protect all connections against the penetration of moisture

Ambient temperature:

Depending on solenoid system

-25, -40 to +60, +80, +90°C

Consult our Technical Service for use below +2°C

Electrical connection:

M20 x 1,5

Materials

Housing: brass, red brass (Rg), grey cast iron (GG)

Seat seal: see fluid temperature

Inner part: brass, steel

Alternative models

Solenoid systems in protection class EEx d IIC T4/T5

Solenoid systems for higher temperatures

Official marine approval certificates

Manual override with and without lock

Inductive or electromechanical limit switches



Solenoid group	Port size	Orifice (mm)	Operating pressure (bar)	kv value m³/h*	Materials Housing	Seat seal	kg	Drawing no.	Model
30,5A	G 1/4	8	0 ... 15	0,65	Brass	NBR	2,6	1	2401550xxxx*****
30,5A	G 3/8	8	0 ... 15	0,77	Brass	NBR	2,6	1	2401650xxxx*****
30,5A	G 1/2	8	0 ... 15	0,78	Brass	NBR	2,6	1	2401750xxxx*****
38,5A	G 3/8	12	0 ... 12	1,12	Brass	NBR	3,0	1	2402450xxxx*****
38,5A	G 1/2	12	0 ... 12	1,25	Brass	NBR	3,0	1	2402550xxxx*****
38,5A	G 1/2	12	0 ... 25	1,25	Brass	NBR	4,2	2	2402750xxxx*****
38,5A	G 1/2	15	0 ... 10	2,80	Red brass	NBR	6,2	3	2403350xxxx*****
38,5A	G 1/2	12	0 ... 40	1,25	Brass	NBR	4,2	2	2406750xxxx*****
38,5A	G 1/2	12	0 ... 100	1,25	Brass	Stainless steel**	4,2	2	2407965xxxx*****
38,5A	G 3/4	15	0 ... 10	2,80	Red brass	NBR	6,2	3	2403450xxxx*****
38,5A	G 3/4	20	0 ... 6	5,00	Red brass	NBR	7,7	4	2403510xxxx*****
38,5A	G 1	20	0 ... 6	5,00	Red brass	NBR	7,7	4	2403610xxxx*****
70A	G 1	25	0 ... 8	9,00	Red brass	NBR	22,9	5	2403810xxxx*****
70A	G 1½	25	0 ... 8	9,00	Red brass	NBR	22,9	5	2403910xxxx*****
70A	G 1½	50	0 ... 3	25,0	Grey cast iron#	NBR	36,3	6	2404010xxxx*****

xxxx Insert solenoid code from tables below. ***** Insert voltage code from table below

* Cv (US) ≈ kv x 1,2

** Suitable only for liquids

Suitable for fluid and ambient temperatures down -10 °C.

Options selector

240XXXX *****

Solenoid	Voltage	Substitute
See solenoid tables	24 V d.c.	02400
	230 V a.c.	23050
	110 V a.c.	11050
	230 V a.c.	23050

Other voltages on request

Accessories

Port size	Cable glands Protection class IP65 Ms nickel plated brass	Cable glands Protection class EEx e, EEx d (ATEX), Ms nickel plated brass
-----------	---	---



M20 x 1,5*	0589241 (Ø 6,5 ... 9,5 mm)	EEx e 0588819
M20 x 1,5	0589242 (Ø 9,0 ... 13 mm)	EEx d 0588851
1/2 NPT		EEx d, EEx e 0588925

* Included in delivery for IP65



Herion 24000 Series

Direct solenoid actuated poppet valves



8 to 50 mm orifice (ND)

3/2, Universal, G¼ to G 2


Solenoid actuators 30,5A

	Power consumption		Voltage		Protection category	Protection class	Temperatures Ambient/fluid °C	Electrical connection	kg	Solenoid drawing no.#	Circuit diagram no.#	Model
	24 V d.c. (W)	230 V a.c. (VA)	24 V d.c. (mA)	230 V a.c. (mA)								
	21,4	–	891	–	–	IP65 with cable gland	-25 ... +60	M20x1,5	1,35	1	2	1300
	–	22,8	–	99	–	IP65 with cable gland	-25 ... +60	M20x1,5	1,35	1	6	1301
	21,4	–	891	–	II2G	EEx me II T4 ¹⁾ EEx me II T5 ¹⁾	-20 ... +80 -40 ... +60	M20x1,5 ³⁾	2,0	2	4	1440
	–	22,8	–	99	II2G	EEx me II T4 ¹⁾ EEx me II T5 ¹⁾	-40 ... +80 -40 ... +60	M20x1,5 ³⁾	2,0	2	7	1441

Solenoid actuators 38,5A

	Power consumption		Voltage		Protection category	Protection class	Temperatures Ambient/fluid °C	Electrical connection	kg	Solenoid drawing no.#	Circuit diagram no.#	Model
	24 V d.c. (W)	230 V a.c. (VA)	24 V d.c. (mA)	230 V a.c. (mA)								
	35,9	–	1497	–	–	IP65 with cable gland Fluid max. +80	-25 ... +60	M20x1,5	2,5	4	2	1500
	–	38,9	–	169	–	IP65 with cable gland Fluid max. +80	-25 ... +60	M20x1,5	2,5	4	6	1501
	35,9	–	1497	–	II2G	EEx me IIC T5 ²⁾	-20 ... +40	M20x1,5 ³⁾	3,6	5	2	1570
	–	38,9	–	169	II2G	EEx me II T5 ²⁾	-20 ... +40	M20x1,5 ³⁾	3,6	5	6	1571

Solenoid actuators 70A

	Power consumption		Voltage		Protection category	Protection class	Temperatures Ambient/fluid °C	Electrical connection	kg	Solenoid drawing no.#	Circuit diagram no.#	Model
	24 V d.c. (W)	230 V a.c. (VA)	24 V d.c. (mA)	230 V a.c. (mA)								
	69,2	–	2882	–	–	IP65 with cable gland Fluid max. +100	-40...+60 Fluid max. +100	M20x1,5	11,2	7	2	1800
	–	42	–	169	–	IP65 with cable gland Fluid max. +100	40...+60 Fluid max. +100	M20x1,5	11,2	7	6	1801

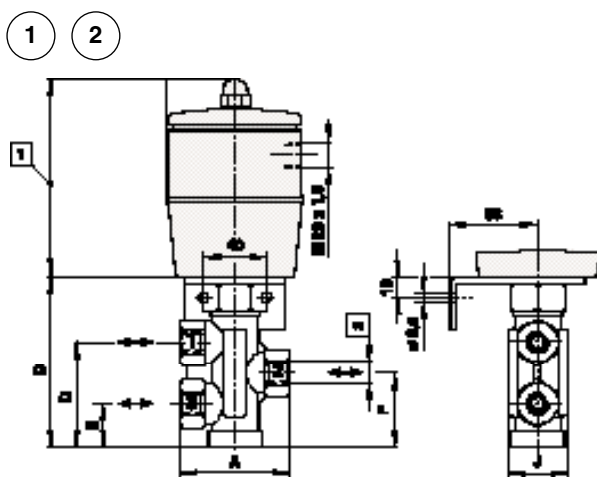
Standard voltages 24 V d.c., 230 V a.c. Other voltages on request. Design acc. to VDE 0580, EN 50014/50028. 100% duty cycle.

For solenoid dimensional drawings and circuit diagrams, see page 157

1) EC-Type-Examination-Certificate KEMA 03 ATEX 1016 X

2) EC-Type-Examination-Certificate PTB 03 ATEX 2032 X

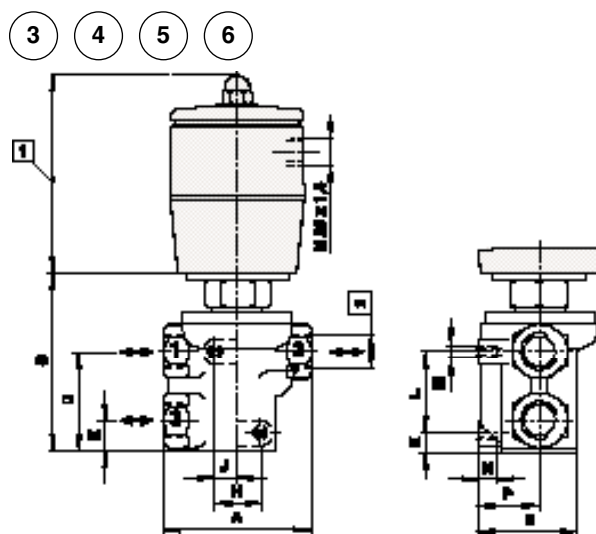
3) Cable gland not supplied, see 'Accessories' table



1 For solenoid dimensions see page 51

2 For port size, see previous page

Drawing no.	A	C	D	E	F	Ø G	J
1	70	108	67,5	27,5	47,5	86	38
2	70	115	67,5	27,5	47,5	92	38



Drawing no.	A	C	D	E	Ø F	H	J	K	L	M	N	P	R
3	100	126	63,5	19,5	92	30	15	13,5	50	M10	12	39	77
4	120	156	80	30	92	30	15	15	70	M10	12	42	82
5	132	184	96	36	154	40	20	15	100	M12	12	57	102
6	240	239	135	45	154	80	40	33	130	M16	21	98	171