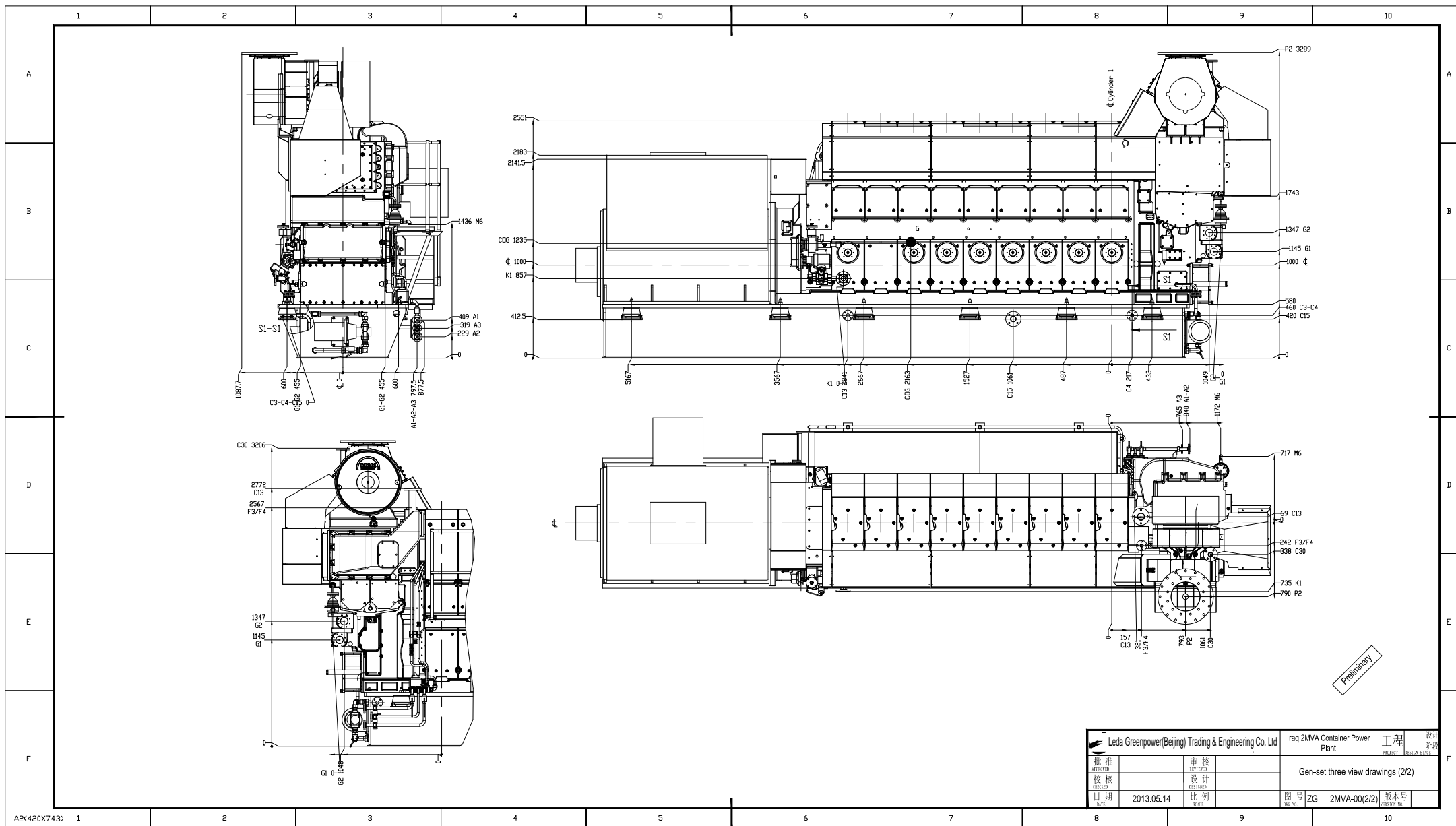


264
Space for removal of cooler, thermostat housing and oil pump

401
Space for removal of cooler, thermostat housing and oil pump

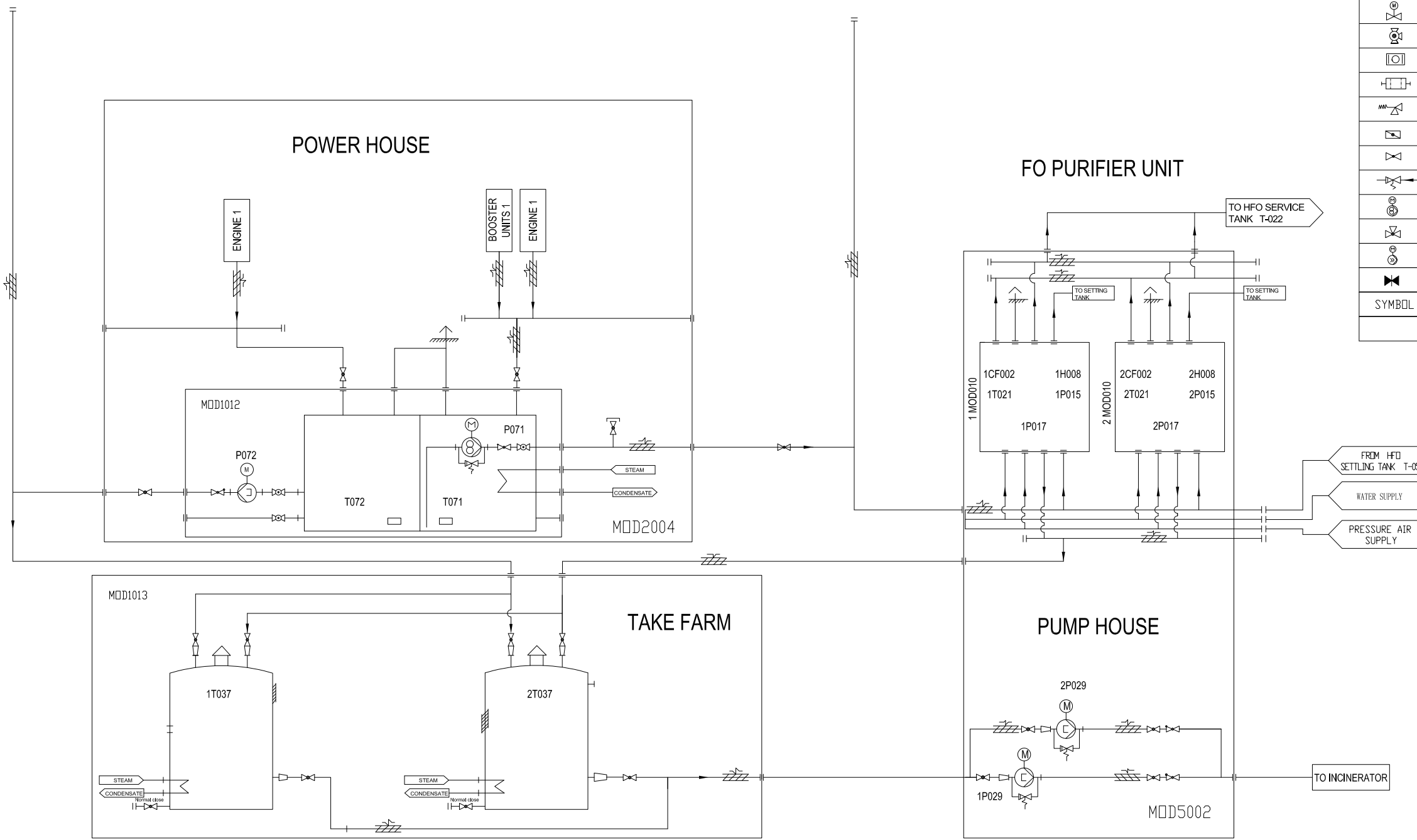
Preliminary

Leda Greenpower(Beijing) Trading & Engineering Co. Ltd		Iraq 2MVA Container Power Plant		工程 设计
批准 APPROVED		审核 CHECKED		设计 DESIGN
校核 CHECKED		设计 DESIGN		Gen-set three view drawings (1/2)
日期 DATE	2013.05.14	比例 SCALE		图号 FIG. NO.
				ZG 2MVA-00(1/2)
				版本号 VERSION NO.



Preliminary

Leda Greenpower (Beijing) Trading & Engineering Co., Ltd		Iraq 2MVA Container Power Plant	设计 工程 阶段 PAPER 005/02
批准 APPROVED	审核 REVIEWED	Gen-set three view drawings (2/2)	
校核 CHECKED	设计 DESIGNED		
日期 DATE	2013.05.14	比例 SCALE	图号 ZG 2MVA-00(2/2) 版本号 005/02_M6



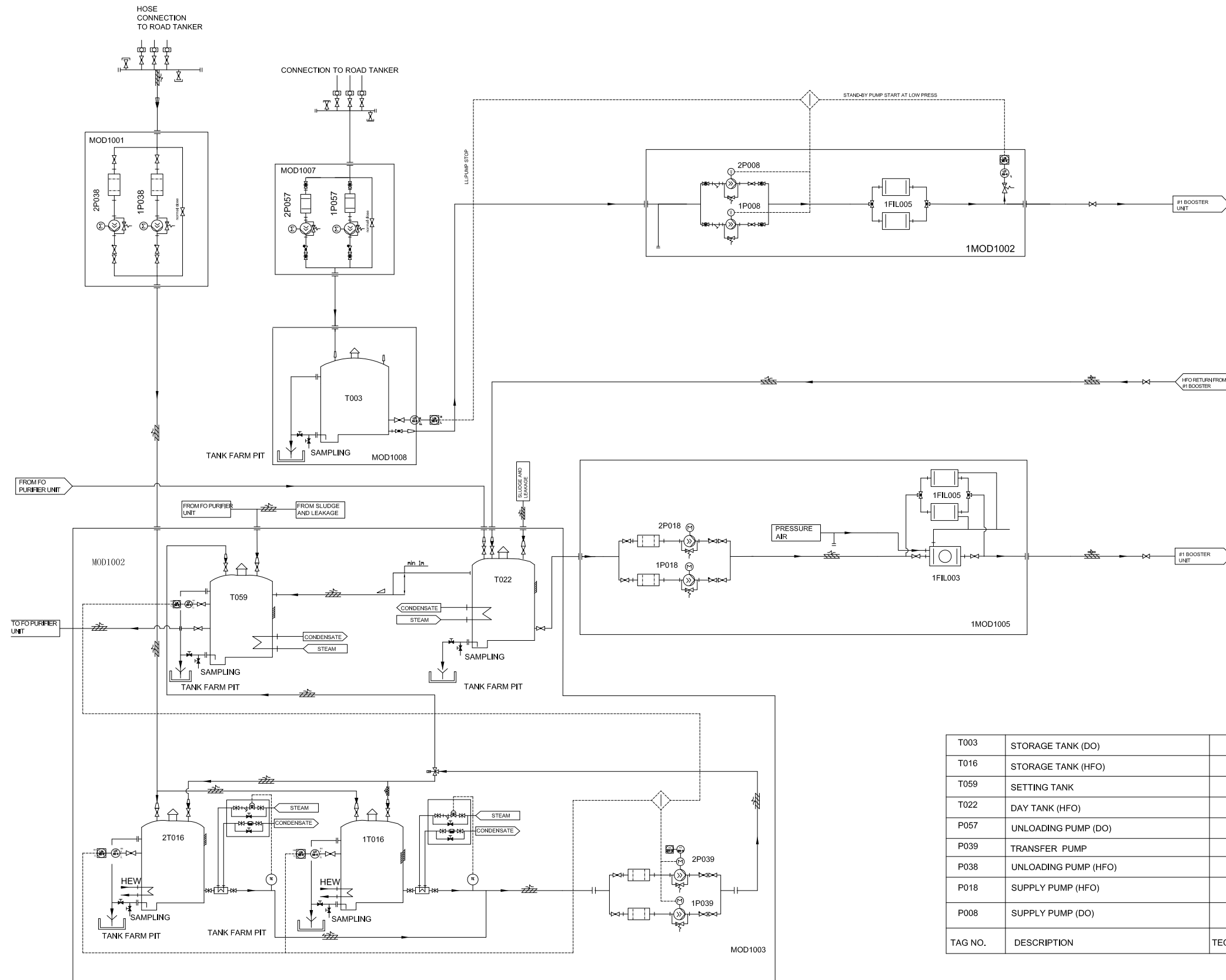
	screw-down stop valve (angle valve)		insulated pipe
	safety valve		solenoid-operated valve
	cock		ball-type valve
	non-return valve		gate valve
	solenoid-operated valve (three way)		pressure retaining valve
	motor operated valve		non-return flap
	three way ball valve		piston-operated valve (three way)
	automatic filter		flowmeter
	simplex filter		condensate trap
	safety valve (angle valve)		separator
	butterfly flap		electric heater
	screw-down stop valve (globe valve)		heat exchanger cooler
	Safety valve (Relief valve)		pump
	gear pump with electromotor		restriction orifice
	three way valve		sight glass
	screw pump with electromotor		strainer y type
	gate valve (normal close)		pressure reducing valve
SYMBOL	DESIGNATION	SYMBOL	DESIGNATION

LIST OF SYMBOLS

T072	SLUDGE TANK (LUBE OIL)		1
T071	LEAKAGE FUEL TANK		1
T037	SEPARATOR SLUDGE COLLECTING TANK		2
P072	DRAIN PUMP LUBE OIL SLUDGE TANK		1
P071	DRAIN PUMP FUEL OIL TANK		1
P029	SLUDGE PUMP		2
TAG NO.	DESCRIPTION	TECHNICAL DATA	Q'TY

Leda Greenpower(Beijing) Trading & Engineering Co. Ltd			Iraq 2MVA Container Power Plant		设计阶段 PROJECT DESIGN STAGE
批准 APPROVED		审核 REVIEWED		Schematic diagram of fuel oil system(1/3)	
校核 CHECKED		设计 DESIGNED			
日期 DATE	2013.05.14	比例 SCALE		图号 DWG NO.	ZG 2MVA-04(1/3)
				版本号 VERSION NO.	

Preliminary



	screw-down stop valve (angle valve)		insulated pipe
	safety valve		solenoid-operated valve
	cock		ball-type valve
	non-return valve		gate valve
	solenoid-operated valve (three way)		pressure retaining valve
	motor operated valve		non-return flap
	three way ball valve		piston-operated valve (three way)
	automatic filter		flowmeter
	simplex filter		condensate trap
	safety valve (angle valve)		separator
	butterfly flap		electric heater
	screw-down stop valve (globe valve)		heat exchanger cooler
	Safety valve (Relief valve)		pump
	gear pump with electromotor		restriction orifice
	three way valve		sight glass
	screw pump with electromotor		strainer y type
	gate valve (normal close)		pressure reducing valve
SYMBOL	DESIGNATION	SYMBOL	DESIGNATION

LIST OF SYMBOLS

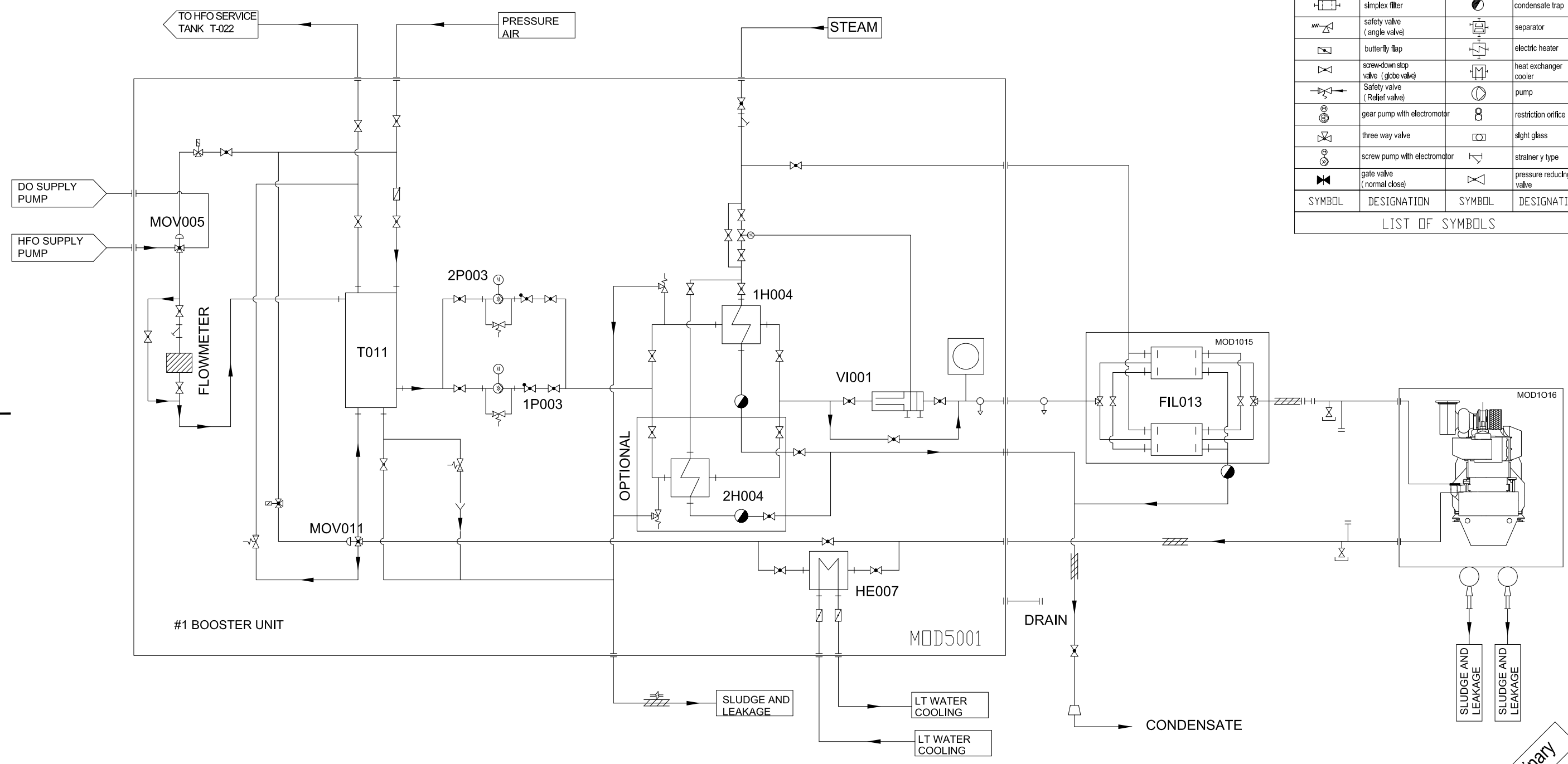
T003	STORAGE TANK (DO)		1
T016	STORAGE TANK (HFO)		2
T059	SETTING TANK		1
T022	DAY TANK (HFO)		1
P057	UNLOADING PUMP (DO)		2
P039	TRANSFER PUMP		2
P038	UNLOADING PUMP (HFO)		2
P018	SUPPLY PUMP (HFO)		2
P008	SUPPLY PUMP (DO)		2
TAG NO.	DESCRIPTION	TECHNICAL DATA	QTY

Preliminary

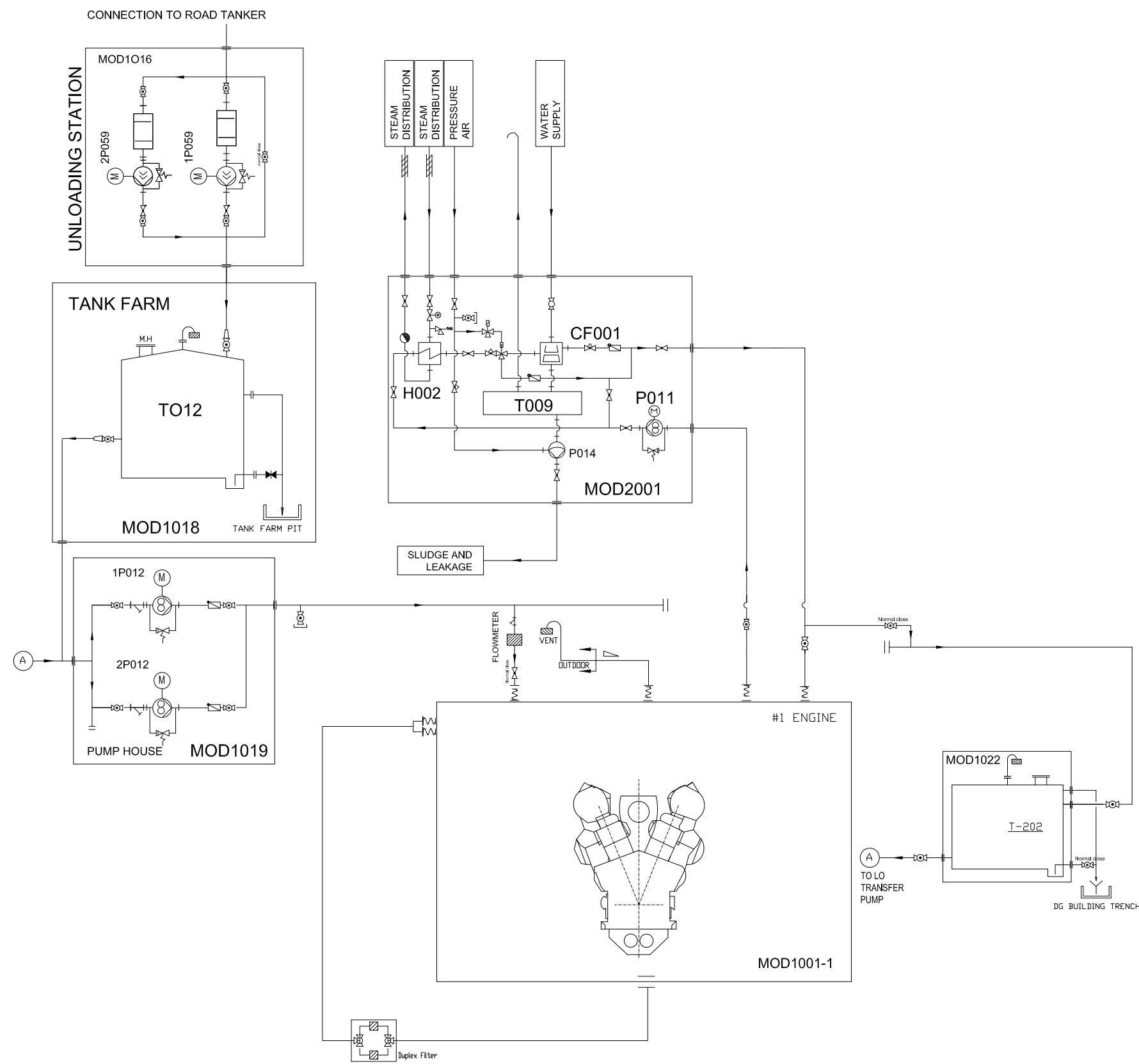
Leda Greenpower(Beijing) Trading & Engineering Co. Ltd		Iraq 2MVA Container Power Plant		设计阶段 PROJECT DESIGN STAGE
批准 APPROVED		审核 REVIEWED		Schematic diagram of fuel oil system(2/3)
校核 CHECKED		设计 DESIGNED		
日期 DATE	2013.05.14	比例 SCALE		
图号 DWG NO.	ZG 2MVA-04(2/3)	版本号 VERSION NO.		

	screw-down stop valve (angle valve)		insulated pipe
	safety valve		solenoid-operated valve
	cock		ball-type valve
	non-return valve		gate valve
	solenoid-operated valve (three way)		pressure retaining valve
	motor operated valve		non-return flap
	three way ball valve		piston-operated valve (three way)
	automatic filter		flowmeter
	simplex filter		condensate trap
	safety valve (angle valve)		separator
	butterfly flap		electric heater
	screw-down stop valve (globe valve)		heat exchanger cooler
	Safety valve (Relief valve)		pump
	gear pump with electromotor		restriction orifice
	three way valve		sight glass
	screw pump with electromotor		strainer y type
	gate valve (normal close)		pressure reducing valve
SYMBOL	DESIGNATION	SYMBOL	DESIGNATION

LIST OF SYMBOLS



Leda Greenpower(Beijing) Trading & Engineering Co. Ltd			Iraq 2MVA Container Power 工程		设计
			Plant		阶段
			PROJECT DESIGN STAGE		
Schematic diagram of fuel oil system(3/3)					
批准 APPROVED		审核 REVIEWED		图号 DWG NO.	版本号 VERSION NO.
校核 CHECKED		设计 DESIGNED		ZG	2MVA-04(3/3)
日期 DATE	2013.05.14	比例 SCALE			



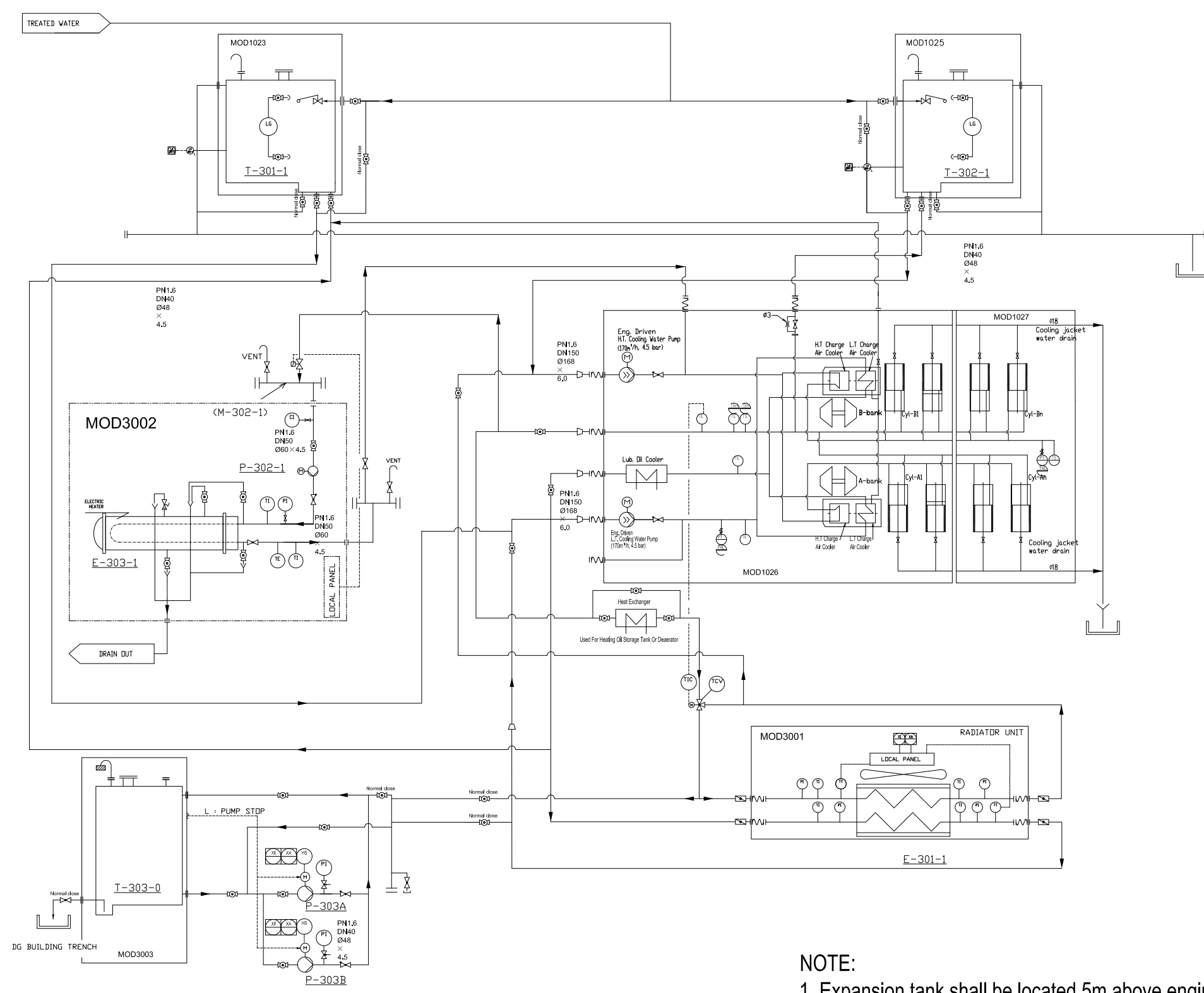
	screw-down stop valve (angle valve)		insulated pipe
	safety valve		solenoid-operated valve
	cock		ball-type valve
	non-return valve		gate valve
	solenoid-operated valve (three way)		pressure retaining valve
	motor operated valve		non-return flap
	three way ball valve		piston-operated valve (three way)
	automatic filter		flowmeter
	simplex filter		condensate trap
	safety valve (angle valve)		separator
	butterfly flap		electric heater
	screw-down stop valve (globe valve)		heat exchanger, cooler
	Safety valve (Relief valve)		pump
	gear pump with electromotor		restriction orifice
	three way valve		sight glass
	screw pump with electromotor		strainer y type
	gate valve (normal close)		pressure reducing valve
SYMBOL	DESIGNATION	SYMBOL	DESIGNATION

LIST OF SYMBOLS

Preliminary

T202	LO MAINTENANCE TANK		
P011	LO FEED PUMP SEPARATOR		
P014	SLUDGE PUMP		
T009	SEPARATOR SLUDGE TANK		
P012	LO TRANSFER PUMP		
T012	LO STORAGE TANK		
P059	LO FILLING PUMP		
TAG NO.	DESCRIPTION	TECHNICAL DATA	Q'TY

Leda Greenpower(Beijing) Trading & Engineering Co. Ltd				Iraq 2MVA Container Power Plant		设计阶段 PROJECT DESIGN STAGE	
批准 APPROVED		审核 REVIEWED		Schematic diagram of lube oil system			
校核 CHECKED		设计 DESIGNED					
日期 DATE	2013.05.14	比例 SCALE		图号 DWG NO.	ZG 2MVA-05	版本号 VERSION NO.	



	screw-down stop valve (angle valve)		insulated pipe
	safety valve		solenoid-operated valve
	cock		ball-type valve
	non-return valve		gate valve
	solenoid-operated valve (three way)		pressure retaining valve
	motor operated valve		non-return flap
	three way ball valve		piston-operated valve (three way)
	automatic filter		flowmeter
	simplex filter		condensate trap
	safety valve (angle valve)		separator
	butterfly flap		electric heater
	screw-down stop valve (globe valve)		heat exchanger, cooler
	Safety valve (Relief valve)		pump
	gear pump with electromotor		restriction orifice
	three way valve		sight glass
	screw pump with electromotor		strainer y type
	gate valve (normal close)		pressure reducing valve
SYMBOL	DESIGNATION	SYMBOL	DESIGNATION

LIST OF SYMBOLS

NOTE:
 1. Expansion tank shall be located 5m above engine c/s center.
 2. Drain valves shall be located at the lowest position.

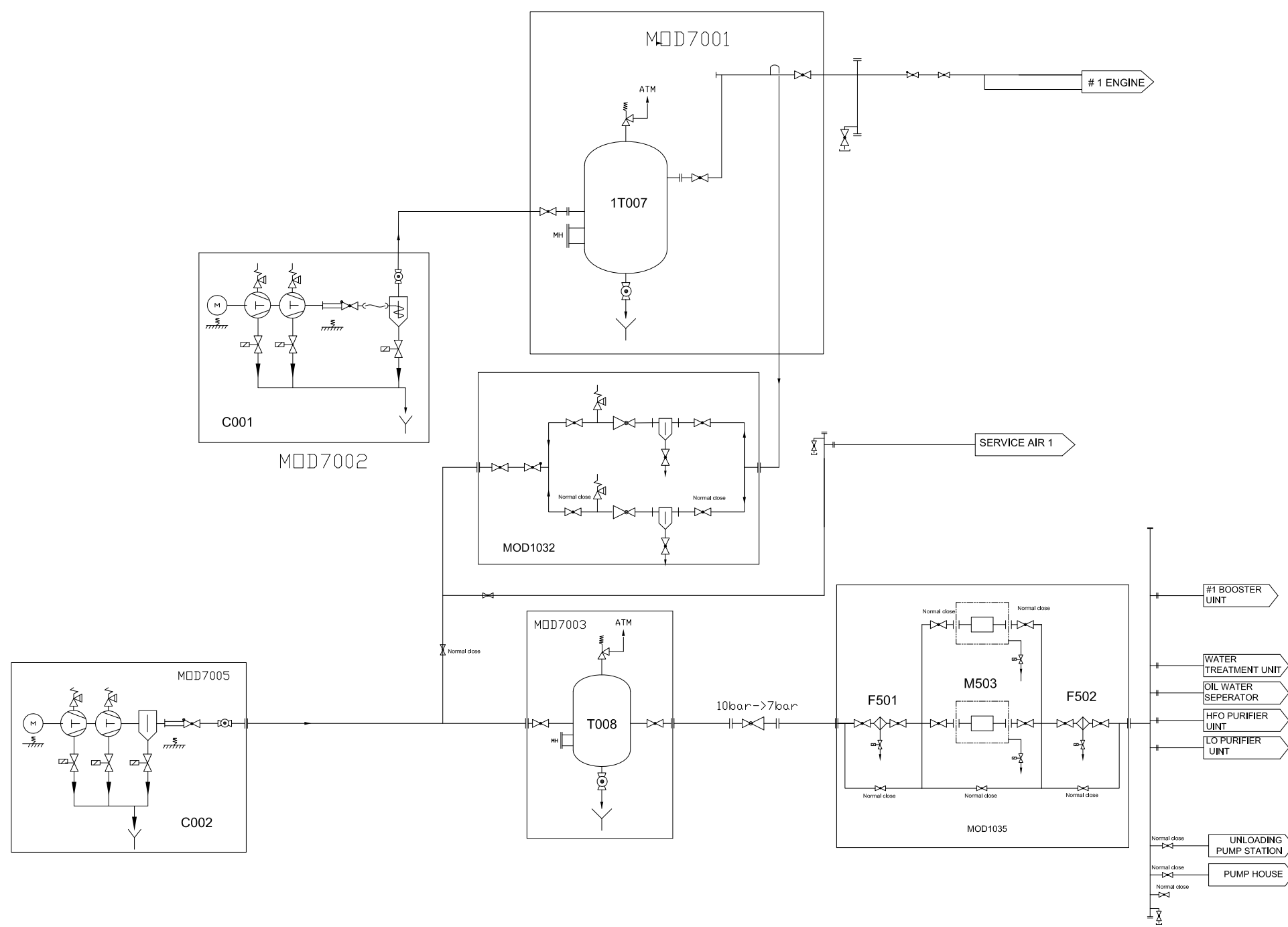
Preliminary

TAG NO.	DESCRIPTION	TECHNICAL DATA	Q'TY
M-302-1	J.W PREHEATER UNIT		1/1ENG.
T-301-1	LT CW EXP. TANK UNIT		1/1ENG.
T-302-1	HT CW EXP. TANK UNIT		1/1ENG.
T-303-0	HT/LT CW MAINTENANCE TANK	UNIT	1 EA
P-302-1	J.W. PREHEATING PUMP		1/1ENG.
P-303A/B	CW MAINTENANCE PUMP UNIT		2 EA
E-301-1	RADIATOR UNIT		1/1ENG.
E-303-1	J.W PREHEATER		1/1ENG.

Leda Greenpower(Beijing) Trading & Engineering Co. Ltd			Iraq 2MVA Container Power Plant		工程阶段 PROJECT DESIGN STAGE
批准 APPROVED		审核 REVIEWED		Schematic diagram of cooling water system	
校核 CHECKED		设计 DESIGNED			
日期 DATE	2013.05.14	比例 SCALE		图号 DWG NO.	ZG 2MVA-06
				版本号 VERSION NO.	

	screw-down stop valve (angle valve)		insulated pipe
	safety valve		solenoid-operated valve
	cock		ball-type valve
	non-return valve		gate valve
	solenoid-operated valve (three way)		pressure retaining valve
	motor operated valve		non-return flap
	three way ball valve		piston-operated valve (three way)
	automatic filter		flowmeter
	simplex filter		condensate trap
	safety valve (angle valve)		separator
	butterfly flap		electric heater
	screw-down stop valve (globe valve)		heat exchanger, cooler
	Safety valve (Relief valve)		pump
	gear pump with electromotor		restriction orifice
	three way valve		sight glass
	screw pump with electromotor		Y-TYPE STRAINER
	gate valve (normal close)		pressure reducing valve
SYMBOL	DESIGNATION	SYMBOL	DESIGNATION

LIST OF SYMBOLS



Preliminary

M503	AIR DRYER		2
F502	AFTER-FILTER (2nd)		1
F501	PRE-FILTER (1st)		1
T008	CONTROL AIR RECEIVER		1
C002	AIR COMPERSOR		1
MOD021	PRESS. REDUC. UNIT		1
T007	STARTING AIR RECEIVER		1
C001	AIR COMPERSOR		1
TAG NO.	DESCRIPTION	TECHNICAL DATA	Q'TY

Leda Greenpower(Beijing) Trading & Engineering Co. Ltd		Iraq 2MVA Container Power Plant		设计阶段 PROJECT DESIGN STAGE
批准 APPROVED		审核 REVIEWED		Schematic diagram of start-control air system
校核 CHECKED		设计 DESIGNED		
日期 DATE	2013.05.14	比例 SCALE		图号 DWG NO.
				ZG 2MVA-07
				版本号 VERSION NO.