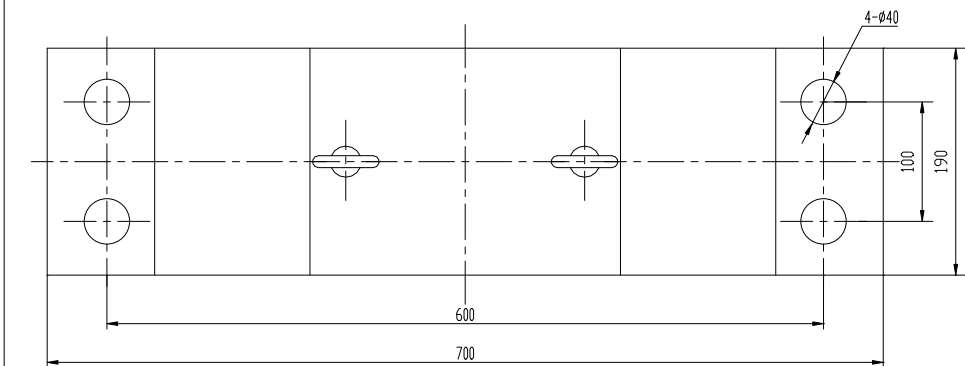


斗轮轴  
Bucket Wheel Shaft



- 技术要求**
1. 装配时端盖与轴承座接触面要求涂胶密封。
  2. 装配后使轴转动灵活无卡阻现象。
  3. 装配时应涂2/3内腔的润滑脂。
  4. 迷宫密封处应涂满润滑脂。

序号 No.	代号 Standard	名称 Denomination	数量 Qty	材料 Material	单重 Kg	总重 Kg	备注 Remark
B8	GB1152-89	油杯 M14X1.5 oil cup	2				
B7		轴承 23056cc/w33 Bearing	1				
B6	HG4-338-66	J形油封 300X340X20 oil seal	2	橡胶 rubber			
B5	GB825-76	吊环螺钉 M16 Screw	2	25			
B4	GB93-87	垫圈 2 Washer	24	65Mn			
B3	GB5780-86	螺栓 M12X45 Bolt	24	4.8			
B2	GB93-87	垫圈 8 Washer	24	65Mn			
B1	GB5780-86	螺栓 M8X20 Bolt	24	4.8			
6	DQ591.1.4-6	轴用挡圈 check ring	1	65Mn			
5	DQ591.1.4-5	轴套 II bushing	1	30			
4	DQ591.1.4-4	轴套 I bushing	1	30			
3	DQ591.1.4-3	轴承座 bearing block	1	ZG230-450			
2	DQ591.1.4-2	压板 plate	2	Q235-A			
1	DQ591.1.4-1	端盖 end cover	2	Q235-A			

**Technical Requirements**

1. During installation, the contact surface of the end plate and the bearing block should be sealed by seal gum.
2. After installation, the shaft must run flexibility without jamming appearance.
3. During installation, 2/3 inside will be filled with grease.
4. Labyrinth sealing position should be filled full of grease.

PROJECT: BALCO EXPANSION PROJECT-1200MW THERMAL POWER PLANT  
 印度 BALCO 扩建 1200MW 燃煤电站项目

OWNER: BHARAT ALUMINIUM COMPANY LTD, KORBA, INDIA  
 印度铝业有限公司

CONSULTANTS: DEVELOPMENT CONSULTANTS PVT.LTD, MUMBAI  
 发展咨询有限公司

CONTRACTOR: SEPCO ELECTRIC POWER CONSTRUCTION CORP, PRC  
 山东电力基本建设总公司

PROJECT CONTROL No.

型号 Type  
 DQ1500/1500.35  
 悬臂式斗轮堆取料机  
 DQ1500/1500.35  
 Bucket-wheel  
 Stacker/Reclaimer

REV.	DATE	DESCRIPTION	CHECK	REVIEW	APPROVAL
		名称 Title			轴承组件 I
批准 Approval	校核 Check	名称 Title			Bearing assembly I
审定 Review	设计 Designer	图号 DWG NO			DQ591.1.4ST
日期 Date	会签 Consignature	比例 Scale			1:3